

TEAC

SERVICE MANUAL

PL-D2200

AV Digital Home Theater System



NOTES

- PC board shown are viewed from parts side.
- The parts with no reference number or no parts number in the exploded views are not supplied.
- As regards the resistors and capacitors, refer to the circuit diagrams contained in this manual.
- ⚠ Parts marked with this sign are safety critical components. they must be replaced with identical components - refer to the appropriate parts list and ensure exact replacement.
- Parts of [] mark can be used only with the version designated.
[E]: EUROPE [SG]: SINGAPORE
[HK]: HONG KONG [UK]: U.K.

CONTENTS

1 SPECIFICATIONS	2
2 EXPLODED VIEW AND PARTS LIST	3
3 PC BOARDS AND PARTS LIST	7
4 WIRING DIAGRAM	18
5 INCLUDED ACCESSORIES	20

PL-D2200

1 SPECIFICATIONS

DVD Player

Pickup :	Semiconductor laser, Wavelength 650/780 nm
Signal system :	NTSC / PAL
Video signal horizontal resolution :	More than 480 lines (DVD)
Video signal-to-noise-ratio :	More than 55 dB (DVD)
Audio frequency response (at 2 CH stereo mode) :	20 Hz ~ 20 kHz (+1/-3dB)
Audio signal-to-noise ratio :	More than 80 dB
Total harmonic distortion :	Less than 0.01%

FM Tuner

System:	PLL quartz-locked digital synthesizer system
Tuning range :	87.5 ~ 108.0 MHz (50 kHz step)
Antenna terminals :	75 ohms, unbalanced
Intermediate frequency :	10.7 MHz

AM Tuner

System:	PLL quartz-locked digital synthesizer system
Tuning range :	522 ~ 1620 kHz (9 kHz interval)

Video outputs

Component Video :	Y: 1 Vp-p 75 ohms CB, CR: 0.7 Vp-p 75 ohms
CVBS Video :	1 Vp-p 75 ohms
S-video :	Y: 1 Vp-p 75 ohms C: PAL 0.3 Vp-p 75 ohms / NTSC 0.286 Vp-p 75 ohms

Audio outputs

Line outputs :	300mVrms, 2.2 kilo ohms
-----------------------	-------------------------

Audio power outputs

Stereo mode :	50 W + 50 W (8 ohms at 1 kHz, THD 10%)
Surround mode :	Front: 50 W + 50 W (8 ohms at 1 kHz, THD 10%) Center: 50 W (8 ohms at 1 kHz, THD 10%) Rear: 50 W + 50 W (8 ohms at 1 kHz, THD 10%)

General

Power requirements :	AC 230V , 50 Hz
Power consumption :	160 W (STAND BY: less than 1 W)
Dimension (W x H x D) :	(17-1/8 x 2-5/8 x 16-11/16) inches 435 x 65 x 372 mm
Weight:	4.8 kg (10.56 lb)
Operating temperature:	5°C ~ 35°C
Operating humidity:	5% ~ 90%
Storage temperature:	-20°C ~ 55°C

Active Subwoofer

Output Power :	100 W (4 ohms at 55 Hz, THD 10%)
Speaker unit :	16.5 cm, cone type
Rated impedance :	4 ohms
Dimension (W x H x D) :	200 x 315 x 316mm (7-7/8 x 12-3/8 x 12-7/16) inches
Power consumption :	165 W (STAND BY: less than 1 W)
Weight :	8.3 kg (18.26 lb)

Front/Center/Rear speakers

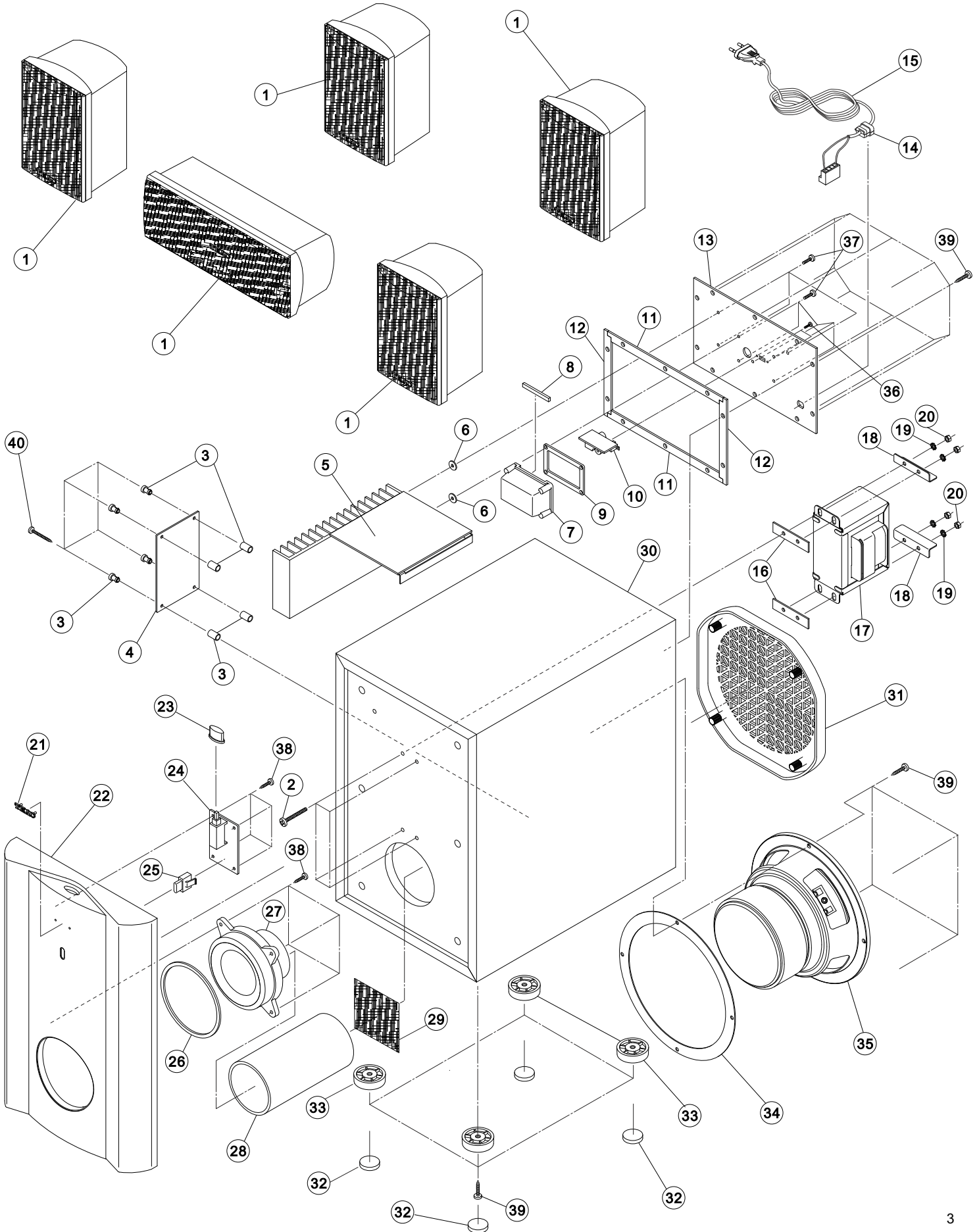
Input Power :	50 W maximum
Speaker unit :	3 inches, cone type
Rated impedance :	8 ohms
Dimension (W x H x D) :	90 x 130 x 100mm (Front/Rear) 3-9/16 x 5-5/16 x 3-15/16 inches (Front/Rear) 200 x 77 x 80mm (Center) 7-7/8 x 3 x 3-1/8mm (Center)
Weight :	0.8 kg (Front) / 0.6kg (Rear) / 1.0kg (Center)

Supplied accessories :	Front/Center speaker cable (5 m x 3) Surround speaker cable (10 m x 2) Subwoofer RCA pin cord (1.8 m) AM loop antenna x 1 FM antenna x 1 RCA video cable x 1 Remote control unit x 1 Batteries (AA, R6, SUM-3) x 2
-------------------------------	---

- Design and specifications are subject to change without notice.
- Weight and dimensions are approximate.
- Illustrations may differ slightly from production model.





2 EXPLODED VIEWS AND PARTS LIST

EXPLODED VIEW - 1

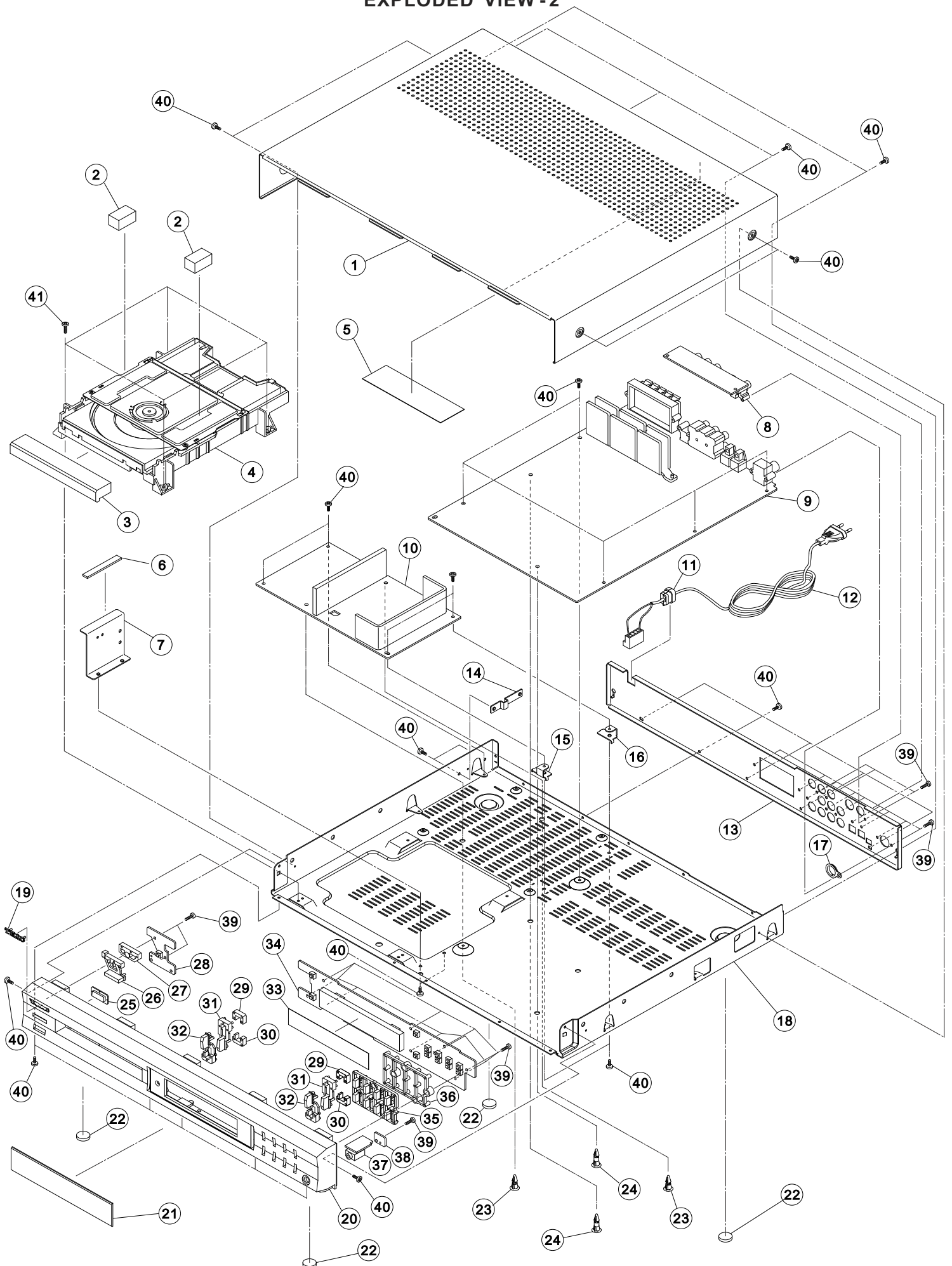


PL-D2200

EXPLODED VIEW - 1

REF. NO	PARTS NO.	DESCRIPTION	REMARKS
1-1	ESB195001-0601	SATELLITE SPEAKER 50W x5 8 ohm	
1-2	HSD143103-3250	SCREW M4x25mm	
1-3	DSS100004-0003	SPACER D6.7x3.1x9.9MM	
1-4	APE100200-0005	SUBWOOFER - POWER PCB ASSY	
1-5	APE100199-0019	SUBWOOFER -MAIN PCB ASSY	
1-6	HWF11C035-6160	WASHER FIB D12x3.5x1.6mm	
1-7	BPC000021-0001	REAR COVER	
1-8	IVE000096-0002	COVER SPON L34x4.5x3mm	
1-9	IVE000095-0001	COVER SPON L55x36x2mm	
1-10	APE100199-0021	JACK PCB ASSY	
1-11	IVE000093-0001	SPONGE L174x10x2mm	
1-12	IVE000094-0001	SPONGE L94.5x10x2mm	
1-13	GSP100058-0002	REAR PLATE	
1-14	 DBU001002-0011	AC LINE BUSHING	
1-15	 VPE006250-0020	AC LINE CORD 3PIN [UK ,HK]	
	 VPE003252-0010	AC LINE CORD 2PIN [E ,SG]	
1-16	ICH080007-0001	RUBBER PAD D14.5mm	
1-17	 TTI123001-0110	PWR TRANS 230V/50Hz 100W	
1-18	GSE000110-0003	BRACKET TRANSFORMER	
1-19	HWT168540-1100	WASHER D8.5x4x1mm	
1-20	HNT140700-1300	NUT M4x7x3mm	
1-21	BPL010014-0007	LOGO PLATE	
1-22	BPF105044-0001	FRONT PANEL	
1-23	BPK106040-0001	POWER KNOB	
1-24	APE100241-0001	SWITCH+LED PCB ASSY	
1-25	BPN100108-0001	LED LENS	
1-26	IVE100246-0001	PORT TUBE SPONGE	
1-27	BPR100031-0001	PORT TUBE	
1-28	DPP015954-0118	PAPER TUBE	
1-29	IVN000005-0001	CLOTH - BLACK	
1-30	EVM100062-0001	WOOD BOX	
1-31	BPG001046-0001	GRILLE	
1-32	BRF100026-0001	RUBBER PAD D20x4mm	
1-33	BPE100019-0001	PLAS.FOOT	
1-34	IVE000097-0001	SPEAKER SPONGE	
1-35	FSB12A061-1401	SPEAKER DRIVER 100W	
1-36	HSP143053-3060	SCREW M2x6mm	
1-37	HST140054-3100	SCREW T3x10mm	
1-38	HSP140054-3120	SCREW T3x12mm	
1-39	HST140071-3140	SCREW T3.5x14mm	
1-40	HST140051-3220	SCREW T3x22mm	

EXPLODED VIEW - 2



PL-D2200

EXPLODED VIEW - 2

REF. NO	PARTS NO.	DESCRIPTION	REMARKS
2-1	GSE100234-0001	TOP COVER	
2-2	IVE100031-0002	SPONGE - L25x12.5x15mm	
2-3	BPD101047-0001	DVD DOOR	
2-4	WVD100002-0006	DVD LOADER - HITACHI	
2-5	BNP100083-0001	PVC PLATE - T=0.3mm	
2-6	IVE100137-0001	SPONGE L50x7x2mm	
2-7	GSE100240-0001	CONNECT BRACKET	
2-8	APE102540-0001	SCART PCB ASSY [E, UK]	
	APE102550-0001	RGB PCB ASSY [HK, SG]	
2-9	APE102560-0001	MAIN PCB ASSY [E, UK]	
	APE102560-0002	MAIN PCB ASSY [HK, SG]	
2-10	APE102020-0005	POWER PCB ASSY	
2-11	⚠ DBU001005-0020	AC LINE CORD BUSHING	
2-12	⚠ VPE006250-0020	AC LINE CORD 3PIN [UK, HK]	
	⚠ VPE003012-0010	AC LINE CORD 2PIN [E, SG]	
2-13	GSE100236-0002	BACK CABINET [E, UK]	
	GSE110236-0001	BACK CABINET [HK, SG]	
2-14	GSE100238-0001	SCREW COVER	
2-15	GSE100241-0001	POWER PCB BRACKET-1	
2-16	GSE100242-0001	POWER PCB BRACKET-2	
2-17	BPH100025-0000	FM -HOLDER	
2-18	GSE100235-0001	BOTTOM CABINET	
2-19	BPL010014-0007	LOGO PLATE	
2-20	BPF104025-0001	FRONT CABINET [E, UK]	
	BPF104025-0002	FRONT CABINET [HK, SG]	
2-21	BPN100114-0001	VFD WINDOW	
2-22	BRB000049-0004	RUBBER D14x3mm - WHITE	
2-23	DSS100019-0002	SPACER	
2-24	DSS100018-0001	PCB SPACER	
2-25	BPN100113-0001	REMOTE SENSOR LENS	
2-26	BPK116041-0001	SWITCH BUTTON	
2-27	BPK126041-0001	TACK SWITCH BRACKET	
2-28	APE102442-0001	ON/OFF PCB ASSY	
2-29	BPK135051-0001	VOLUME DOWN BUTTON BRACKET	
2-30	BPK115051-0001	VOLUME UP BUTTON BRACKET	
2-31	BPK125051-0001	VOLUME DOWN BUTTON	
2-32	BPK105051-0001	VOLUME UP BUTTON	
2-33	BNP100086-0001	VFD FILTER - BLUE	
2-34	APE102441-0001	KEY PCB ASSY	
2-35	BPK112066-0001	FUNCTION BUTTON	
2-36	BPK102066-0001	FUNCTION BUTTON BRACKET	
2-37	APE102443-0001	PHONE PCB ASSY	
2-38	LVC102443-0001	PHONE PCB PLATE	
2-39	HSP140054-1080	SCREW T3x8mm	
2-40	HST143084-1060	SCREW M3x6mm	
2-41	HST143084-1080	SCREW M3x8mm	

3 PC BOARDS AND PART LISTS

MAIN PCB ASSY - TOP

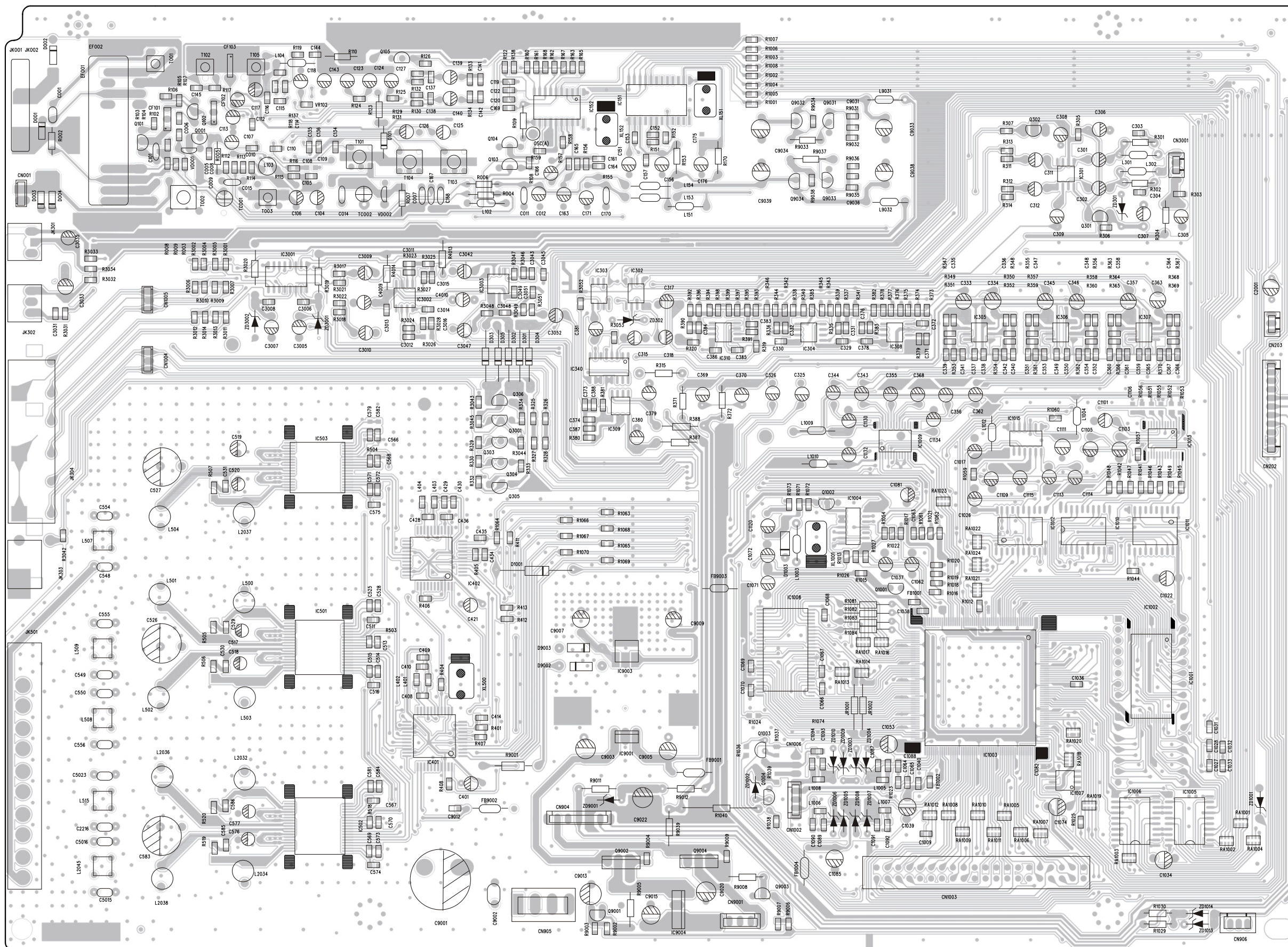
REF. NO	PARTS NO.	DESCRIPTION	REMARKS
	APE102560-0001	MAIN PCB ASSY [E, UK]	
	APE102560-0002	MAIN PCB ASSY [HK, SG]	
	LFM102560-0001	MAIN PCB	
C9038	⚠ PME039540-1020	CE-1000UF-16V	
C526,527,583	⚠ PDE039570-1020	CE-1000UF-50V	
C9001	⚠ PVE039570-2220	CE-2200UF/50V	
CF101	JFT005002-0020	CER.FILTER SFE-10.7MA	
CF102	JFT005002-0040	CER.FILTER SFE-10.7MS3	
CF103	JFT005001-0030	CER. FILTER 450KHZ	
CN001	CCN250000-0502	CONNECTOR S2B-XH-A 2PIN	
CN202	CCN200000-0111	CONNECTOR 11PIN P=2MM	
CN203,906	CCN200000-0103	CONNECTOR 3PIN P=2MM	
CN1004	CCN200000-0103	CONNECTOR 3PIN P=2MM [E, UK]	
CN904	CCN250000-0108	CONNECTOR B8B-XH-A 8PIN	
CN905	CCN396020-0104	CONNECTOR 4PIN P=3.96MM	
CN1002	CCN200000-0108	CONNECTOR 8PIN P=2MM [E, UK]	
CN1003	CCN254020-0440	CONNECTOR 20X2 PIN P=2.54MM	
CN1006	CCN200000-0105	CONNECTOR 5PIN P=2MM [HK, SG]	
CN3001	CCN200000-0104	CONNECTOR 4PIN P=2MM	
CN9001	CCN250000-0105	CONNECTOR B5B-XH-A 5PIN	
D001-004,101, D302-305.1001,1003	RAD114148-0010	DIODE 1N4148	
D9002	RAD114001-0010	DIODE 1N4001	
D9003	RAD115392-0010	DIODE 1N5392	
EF001	WTP000011-0001	TUNER PACK KST-F404VA2	
IC151	RCI072720-0002	IC - LC72720NM [E, UK]	
IC152	RCI072131-0001	IC - LC7213M	
IC301	RCI005228-0001	IC - TP5228	
IC302,303	RCI002259-0001	IC - PT2259	
IC340	RCI004053-0001	IC - TC4053BFN	
IC401,402	RCI000304-0001	IC - STA304A	
IC501-503	RCI000505-0001	IC - STA505	
IC1001	RCI290080-0001	IC - AM29F080B	
IC1003	RCI006028-0001	IC - ES6028	
IC1004	RCI740004-0001	IC - TC74HC04AFN	
IC1005,1006,1010	RCI740374-0002	IC - 74HC374	
IC1011,1012	RCI740244-0001	IC - SN74HCT244DW	
IC1013	RCI004112-0001	IC - AK4112BVF	
IC1015	RCI008738-0001	IC - WM8738ED	
IC1007	RCI024002-0002	IC - AT24C02N	
IC1008	RCI400160-0001	IC - 4MX16Y3VTW	
IC1009	RCI008746-0001	IC - WM8746	
IC9003	⚠ RCI916433-0001	IC - RT9164-33CLR	
IC3001	RCI004052-0001	IC - TC4052BFN CHIP	
IC304-310,3002,3003	RCI004558-0003	IC - RC4558D	
IC9001,9004	⚠ RHI007805-0005	IC - BA05T	
JK002	CJA003002-2010	RF JACK	
JK301	CJT100001-0004	TOSK JACK - DLT1130	
JK302	CJT200001-0008	TOSK JACK - DLR1130	
JK303	CJR001301-0010	RCA JACK 1P	
JK304	CJR006101-0010	RCA JACK 6PIN	
JK501	CJS010101-0020	SPEAKER JACK 10PIN	

PL-D2200

MAIN PCB ASSY - TOP

REF. NO	PARTS NO.	DESCRIPTION	REMARKS
L103	SIL106003-3930	COIL 39MH	
L1003,1004,1009,1010, L9031,9032,1012,102, L104,153,154	SAN001600-1000	CHOKE 10UH	
L151	SAN001600-1000	CHOKE 10UH [E, UK]	
L301,302,FB1004, FB9001-003,	SFB001001-0030	BEAD-FERIT 100 OHM	
L401-404,FB1001,1002	SCB008050-1010	CHIP BEAD 100 OHM	
L507-509,515,2045	SIL102001-2000	CHOKE COIL 20UH 4PIN	
L1005-1008	SCN023500-2490	CHIP INDUCTOR 2.4UH	
L500-503	SIN002002-3000	INDUCTOR 30UH	
L504,2032,2034, L2036,2037,2038	SIL106002-2000	CHOKE COIL 20UH 2A	
Q001	RAM200192-1001	TR - 2SK192	
Q101,102	RAN201675-0001	TR - 2SC1675	
Q103,305,306, Q9032,9034	RAP200733-0001	TR - 2SA733	
Q104,105,1002	RAN200945-001	TR - 2SC945	
Q9001,9003,9031,9033			
Q1001	RAN202001-0001	TR - 2SC2001L	
Q303,304,3001	RAN202878-0001	TR - 2SC2878	
Q302	RAN202878-0001	TR - 2SC2878 [HK, SG]	
Q301	RAN080500-0001	TR - S8050	
Q1003,1004	RAN080500-0001	TR - S8050 [E, UK]	
Q9002,9004	RHP200772-0001	TR - 2SB772P	
RA1016,1017,1019	QCP015081-1000	RES ARRAY 10 OHMx4	
RL1001-1014,1021, RL1022,1023	QCP015081-3300	RES ARRAY 33 OHMx4	
RL1018,1020	QCP015081-4720	RES ARRAY 4.7Kx4	
TC001	MVC001001-0010	TRIMMER 3-10PF	
TC002	MVC001002-0010	TRIMMER 4.2-20PF	
T001	SIL013012-0010	OSC FM	
T002	SIL013009-0011	AM OSC - 0A10	
T003	SIL013010-0012	OSC COIL- 502522	
T101	SIL016001-0010	BIAS COIL - 865807	
T102	SIF010001-0040	AM IFT	
T103,104	SIL016001-0020	BIAS COIL - 865806	
T105	SIF020001-0050	FM IFT	
VD001,002	RHV100149-0001	DIODE ISV149B	
XL151	JQC013101-4351	CRYSTAL 4.332MHZ [E, UK]	
XL152	JQC013101-4550	CRYSTAL 4.50MHZ	
XL500	JQC123100-2460	CRYSTAL 24.576 MHZ	
XL1001	JQC023101-2760	CRYSTAL 27 MHZ	
ZD301,302	RAZ005006-0030	DIODE ZENER 6.0-6.3V	
ZD1001,1014	RAZ005003-0020	DIODE ZENER 2.9-3.1V	
ZD1002	RAZ005005-0030	DIODE ZENER 5.0-5.2V	
ZD1003-1010, ZD3001,3002	RAZ005007-0020	DIODE ZENER 6.9-7.2V	
ZD1013	RAZ005024-0020	DIODE ZENER 23.6-24.7V	
ZD9001	RAZ005011-0020	DIODE ZENER 10.4-10.8V	

MAIN PCB - TOP

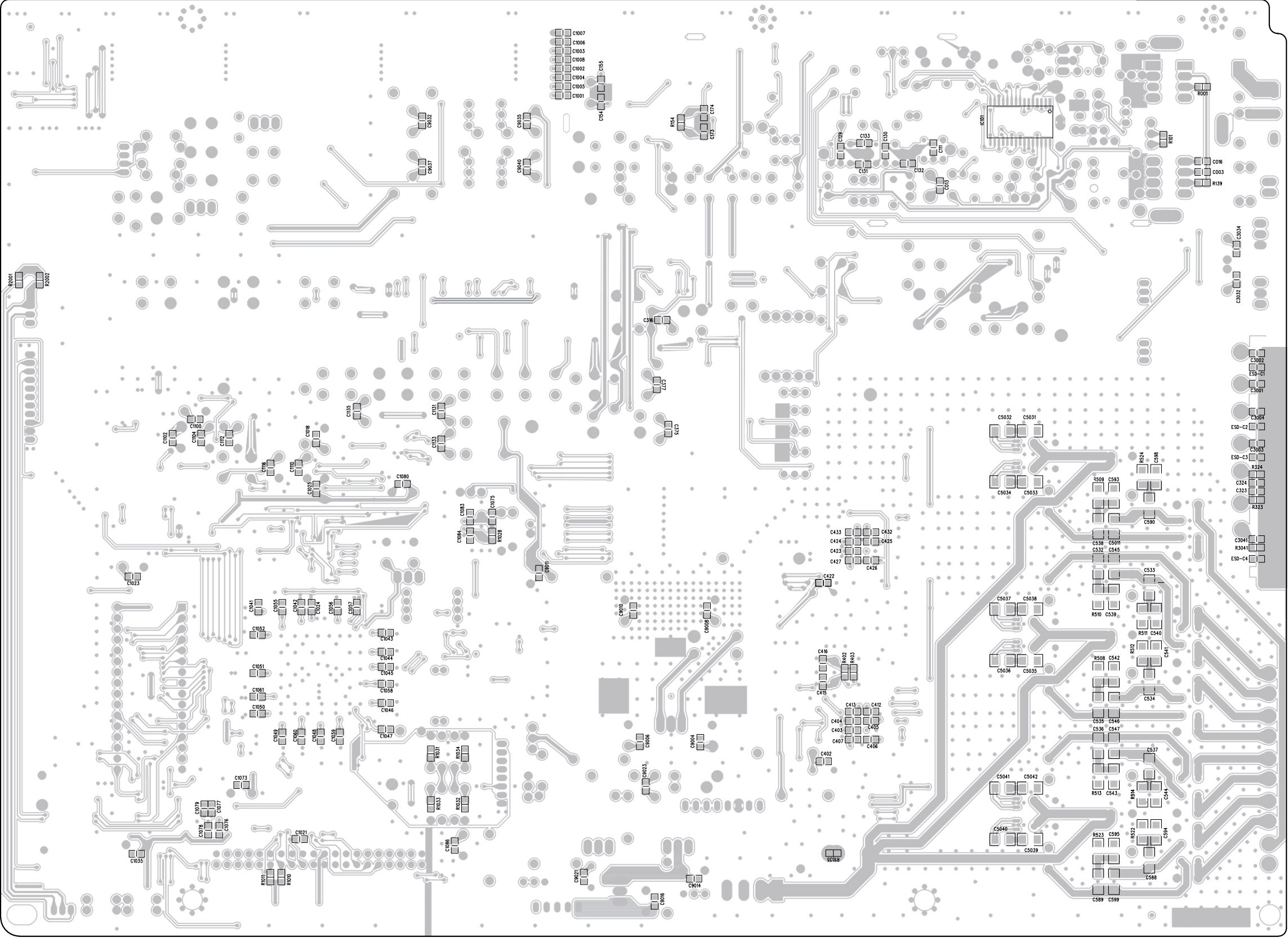


PL-D2200

MAIN PCB ASSY - BOTTOM

REF. NO	PARTS NO.	DESCRIPTION	REMARKS
IC101	RCI001837-0001	IC - LA1837	

MAIN PCB - BOTTOM



PL-D2200

POWER PCB ASSY

REF. NO	PARTS NO.	DESCRIPTION	REMARKS
	APE102020-0005	POWER PCB ASSY	
	LCP100202-0001	POWER PCB	
BR901	⚠ RHD208080-0010	BRIDGE KBU808	
C901,902	⚠ PVX2705G0-2240	COND SAFETY 0.22UF	
C903,904	⚠ PJE0995E0-2210	CE 220UF/200V	
C905,906,909, C963,964,968	⚠ PVY1705K0-2222	COND SAFTY 0.0022UF	
C914	⚠ PRE039550-2210	CE 220UF/25V	
C929	⚠ PVE039550-1020	CE 1000UF/25V	
C931,932,939,940	⚠ PVE039540-1020	CE 1000UF/16V	
C947,948,952	⚠ PVE039570-1020	CE 1000UF/50V	
D901	RAD100026-0010	DIODE BYV26D	
D902,904,909,910	⚠ RAD114148-0010	DIODE 1N4148	
D903	⚠ RAD114001-0010	DIODE 1N4001	
D905	⚠ RHD208020-0010	BRIDGE MUR1620CT	
D906	⚠ RHD115822-0010	DIODE 1N5822	
D907	⚠ RAD100204-0010	DIODE HER204	
D908	RAD100104-0010	DIODE HER104	
F901	⚠ KSA020315-0120	FUSE 3.15A/250V	
IC903	RHI000249-0001	IC - TOP249	
IC904	RHI004310-0001	IC - TL431	
L901	SIL106001-6090	INDUCTOR 6UH 10.5TS	
L902,903	SIL106002-6090	INDUCTOR 6UH 13.5TS	
Q903	RAN202222-0001	TR - PN2222A	
Q904	RHN000120-0001	TR - TIP120	
Q910,912	RAM207000-1001	TR - 2N7000	
Q913	RAN202001-0001	TR - 2SC2001L	
R901,902	⚠ QAF025000-5640	RES,560K 1/2W	
R903,904	⚠ QAF025000-1050	RES,1M 1/2W	
R907	⚠ QAF045000-4790	RES,4.7 OHM 1/4W	
RL901	⚠ MRL012004-0012	RELAY GJSH-112DM	
RT901	⚠ RNT005130-5090	NTC- 5 OHM	
SN901	⚠ RHO615003-3001	OPT SENSOR SFH615A-3	
T901	⚠ JFT006008-0020	AC FILTER	
T902	⚠ TTB123011-0020	PWR TRAN 230V EI-35	
T903	⚠ TSC100001-0010	PWR TRAN EE-42	
ZD901	RAD160200-0010	DIODE P6KE200A	
ZD902	RAZ005006-0020	DIODE ZENER 5.6-5.9V	
ZD903	RAZ005007-0020	DIODE ZENER 6.9-7.2V	

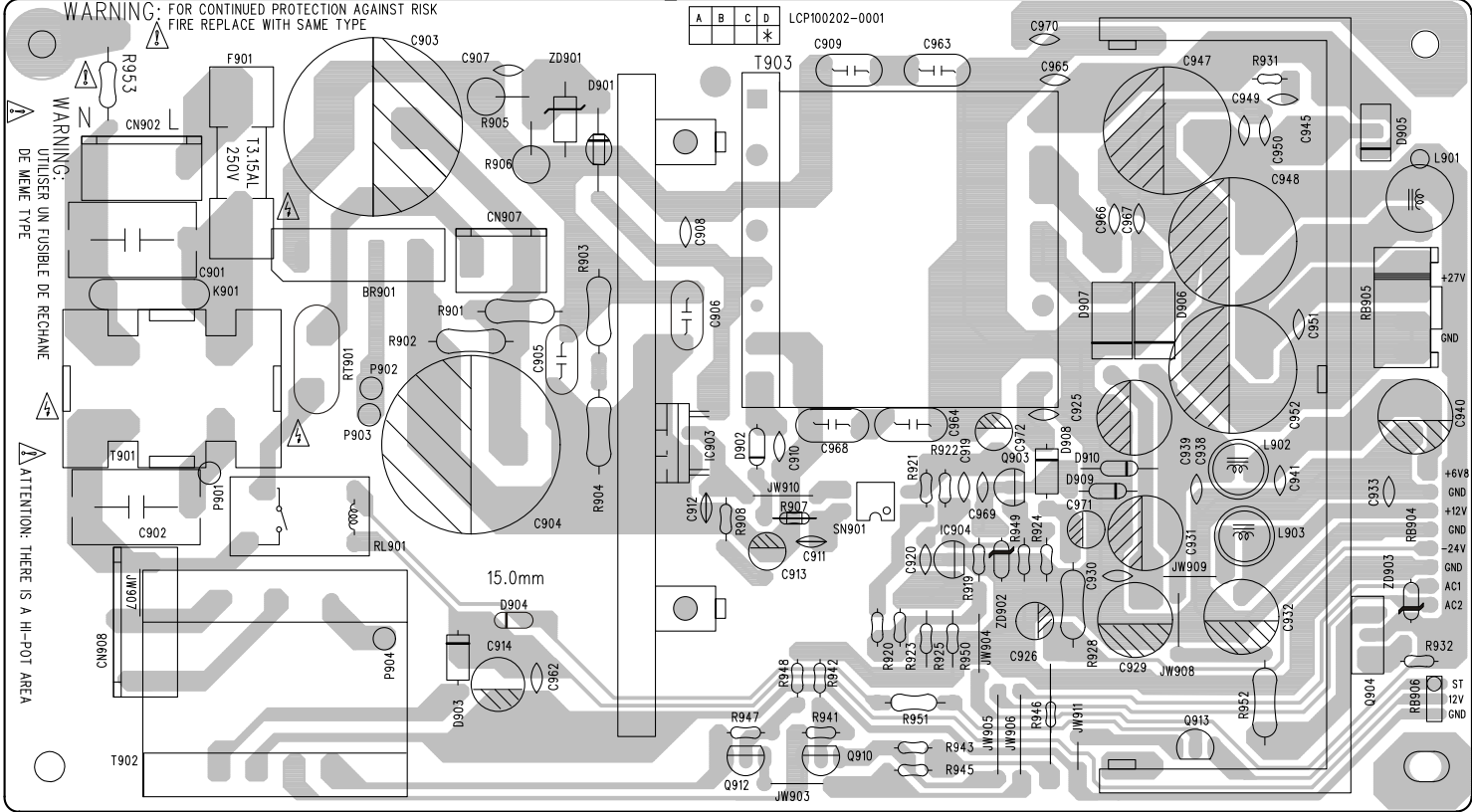
SCART PCB ASSY [E, UK]

REF. NO	PARTS NO.	DESCRIPTION	REMARKS
	APE10254-0001	SCART PCB ASSY	
	LVA102540-0001	SCART PCB	
FB137-142,144-147	SFB001001-0030	BEAD- FERIT 100 OHM	
JK103	CJR001301-0020	RCA JACK RCA-108D-1	
JK2001	CSS021001-1020	SCART SOCK 21PIN	
JK401	CJD004201-1020	DIN JACK 4PIN	
ZD1101,1103-1106	RAZ005004-0020	DIODE ZENER 3.8-4.0V	

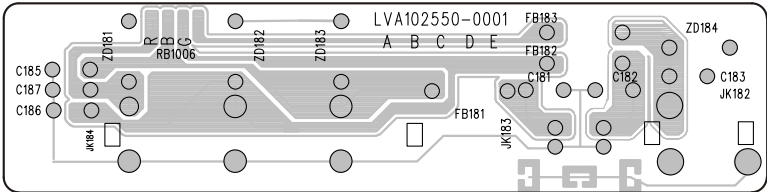
RGB PCB ASSY [HK, SG]

REF. NO	PARTS NO.	DESCRIPTION	REMARKS
	APE102550-0001	RGB PCB ASSY	
	LVA102550-0001	RGB PCB	
FB181-183	SFB001001-0030	BEAD FERITE 100 OHM	
ZD181-183	RAZ005004-0030	DIODE ZENER 4.1-4.3V	
JK182	CJR001301-0030	RCA JACK 1PIN	
JK183	CJD004201-1020	DIN JACK 4PIN	
JK184	CJR003301-0010	RCA JACK 3PIN	

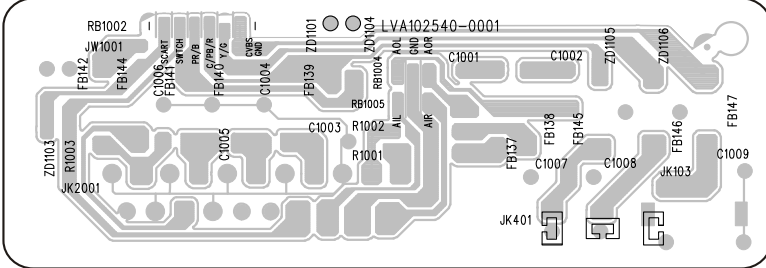
POWER PCB



RGB PCB - HKG/SIN



SCART PCB - EUR/UK



PL-D2200

KEY PCB ASSY

REF. NO	PARTS NO.	DESCRIPTION	REMARKS
	APE102441-0001	KEY PCB ASSY	
	LVC102441-0001	KEY PCB	
DP201	KLV000016-0010	VFD VA84x9PA	
D201-203,985	RAD114148-0010	DIODE - IN4148	
IC251	RCI006311-0001	IC - PT6311	
IC981	RHI007450-0009	IC - CF745	
LD201	KED300003-0020	LED ORANGE - D3MM	
Q201-203	RCN200945-0001	TR - 2SC945 SMT	
Q204	RAN200945-0001	TR - 2SC945	
TA202-213	MAW060001-0020	TACT SW SK1QN00048	
XL981	JQC023100-4050	CRYSTAL 4MHZ	
ZD201	RAZ005005-0030	DIODE ZENER 5.0V-5.2V	
ZD204	RAZ005024-0020	DIODE ZENER 23.6-24.7V	

ON/OFF PCB ASSY

REF. NO	PARTS NO.	DESCRIPTION	REMARKS
	APE102442-0001	ON/OFF PCB ASSY	
	LVC102442-0001	ON/OFF PCB	
SN201	RHO693804-2001	IRT SENSOR RPM6938-V4	
TA201	MAW060001-0020	TACT SW SK1QN00048	
ZD202,203	RAZ005005-0030	DIODE ZENER 5.0-5.2V	

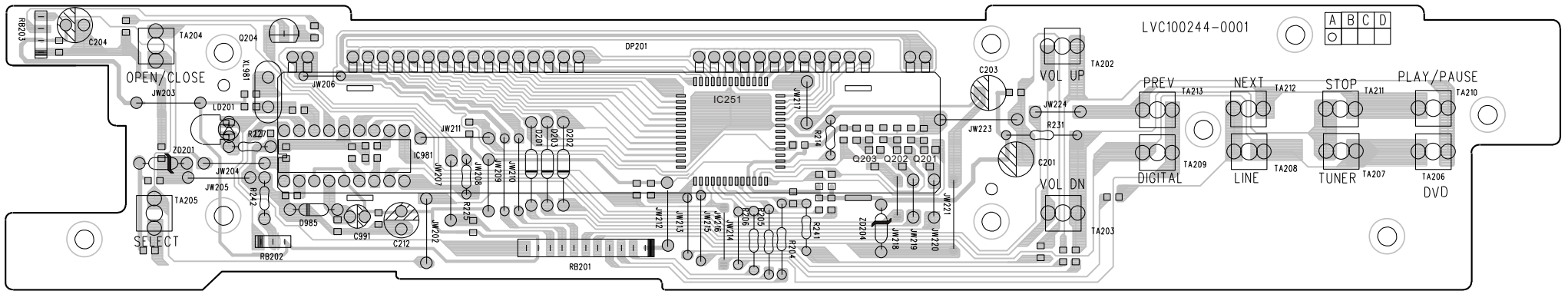
PHONE PCB ASSY

REF. NO	PARTS NO.	DESCRIPTION	REMARKS
	APE102443-0001	PHONE PCB ASSY	
	LVC102443-0001	PHONE PCB	
JK502	CJM035002-1030	PHONE JACK	

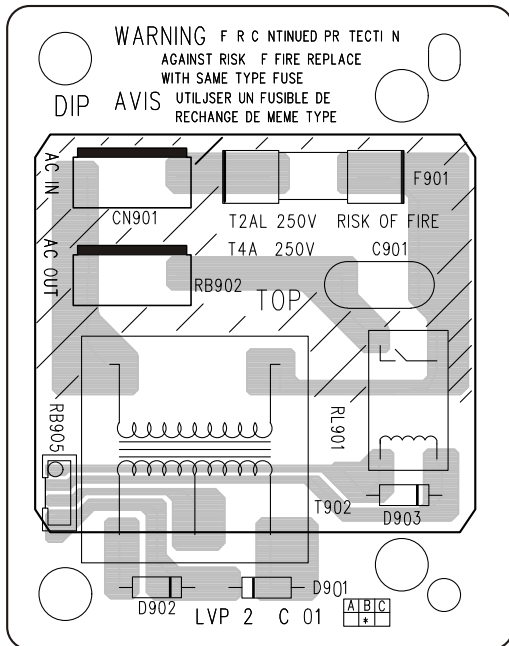
POWER PCB ASSY [SUBWOOFER]

REF. NO	PARTS NO.	DESCRIPTION	REMARKS
	APE100200-0005	POWER PCB ASSY - SUBWOOFER	
	LVP100200-0001	POWER PCB - SUBWOOFER	
C901	△ PVY2705F0-1031	COND SAFTY 0.01UF	
D901-903	△ RAD114001-0010	DIODE 1N4001	
F901	△ KSA020200-0120	FUSE T2A/250V	
RB902,CN901	CCN396021-0104	CONNECTOR 4PIN P=3.96MM	
RL901	△ MRL012004-0012	RELAY GJ-SH-112DM	
RB905	CCN200000-0104	CONNECTOR 4PIN P=2MM	
T902	△ TTA123011-0010	PWR TRANS 230V-50HZ EI-28	

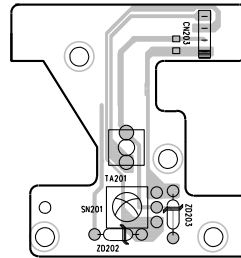
KEY PCB



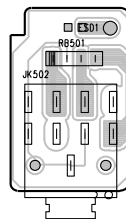
SUB-WOODER - POWER PCB



ON/OFF PCB



PHONE PCB



PL-D2200

MAIN PCB ASSY [SUBWOOFER]

REF. NO	PARTS NO.	DESCRIPTION	REMARKS
	APE100199-0019	MAIN PCB ASSY- SUBWOOFER	
	LVM100199-0011	MAIN PCB - SUBWOOFER	
C361	⚠ PVE039550-1020	CE 1000UF/25V	
C905,906	⚠ PVE039580-4720	CE 4700UF/63V	
CN301	CCN200000-0104	CONNECTOR 4PIN P=2MM	
CN401	CCN250000-0102	CONNECTOR B2B-XH 2PIN	
D301-303,305,306,501	RAD114148-0010	DIODE 1N4148	
D304	⚠ RAD114001-0010	DIODE 1N4001	
DB901	⚠ RHD204010-0011	BRIDGE RS402L	
F902,903	⚠ KSA020400-0121	FUSE 4A/250V	
IC401	RHI003240-0001	IC - LM324	
IC301,502	RHI004558-0001	IC - JRC4558D	
IC501	RHI007293-0001	IC - TDA7293	
Q301-306,501,502	RAN200945-0001	TR - 2SC945	
R902,903	⚠ QDN205000-1020	RES,1K 2W	
RB904	CCN396010-0103	CONNECTOR 3P P=3.96MM	
ZD301	RAZ005009-0020	DIODE ZENER 9.1-9.5V	
ZD901,902	RAZ005015-0020	DIODE ZENER 14.5-15.1V	

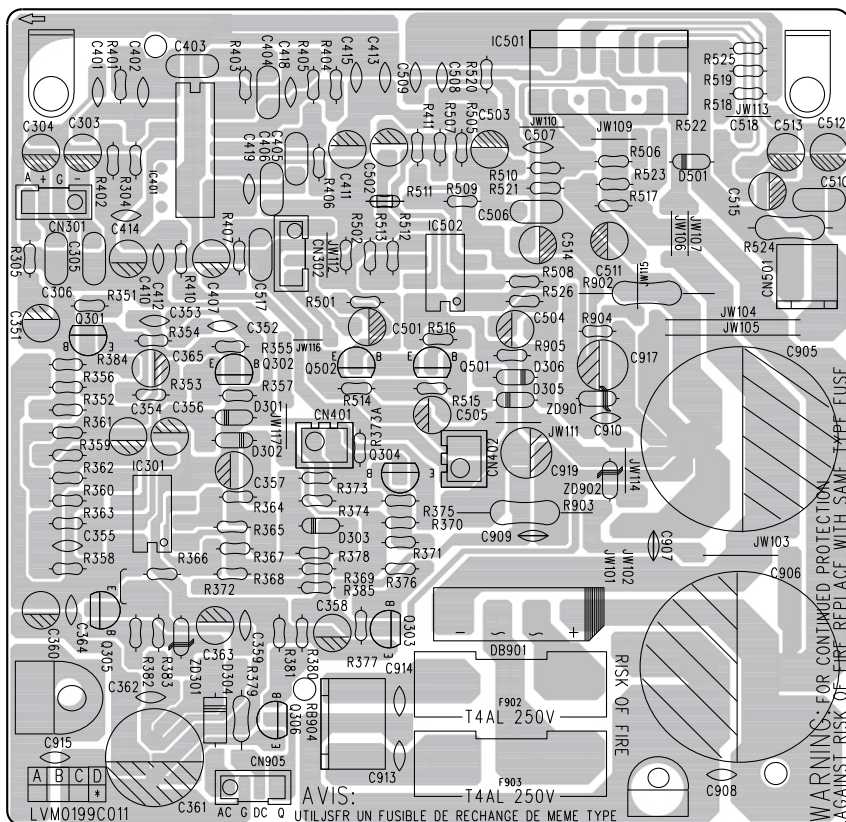
JACK PCB ASSY [SUBWOOFER]

REF. NO	PARTS NO.	DESCRIPTION	REMARKS
	APE100199-0021	JACK PCB ASSY	
	LVM100199-0021	JACK PCB	
JK301	CJR001101-0010	RCA JCAK 1P BLACK	
SW301	MSW004020-0010	SLIDE SWITCH - K22F24	

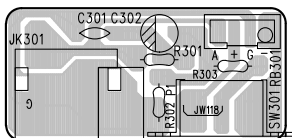
LED PCB ASSY [SUBWOOFER]

REF. NO	PARTS NO.	DESCRIPTION	REMARKS
	LVA100241-0001	LED PCB	
LD501	KED5300-0010	LED 3MM GREEN/ORANGE	
RB401	CCN250000-0502	CONNECTOR 2PIN P=2MM	

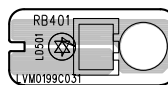
SUBWOOFER - MAIN PCB



JACK PCB

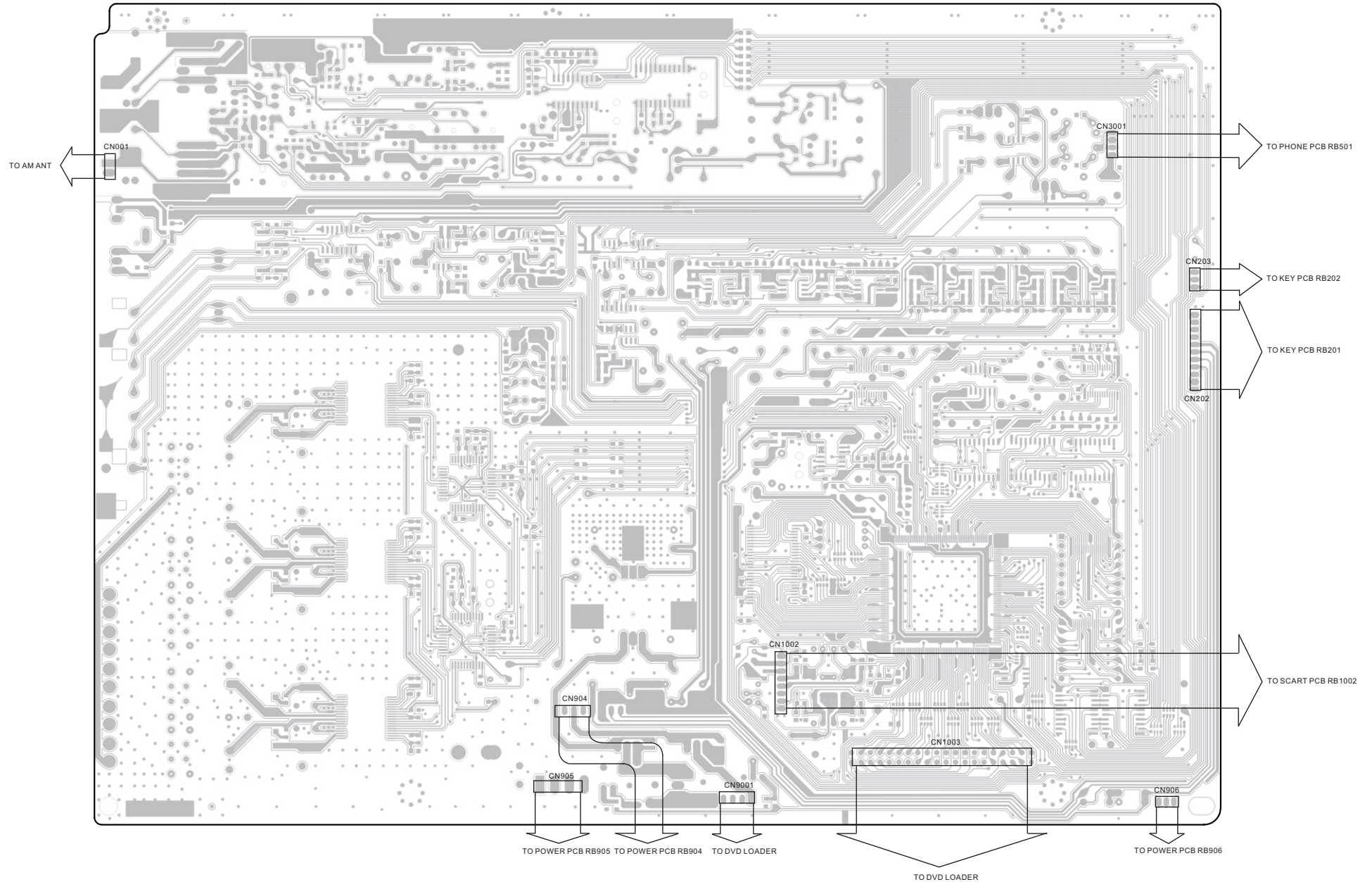


LED PCB

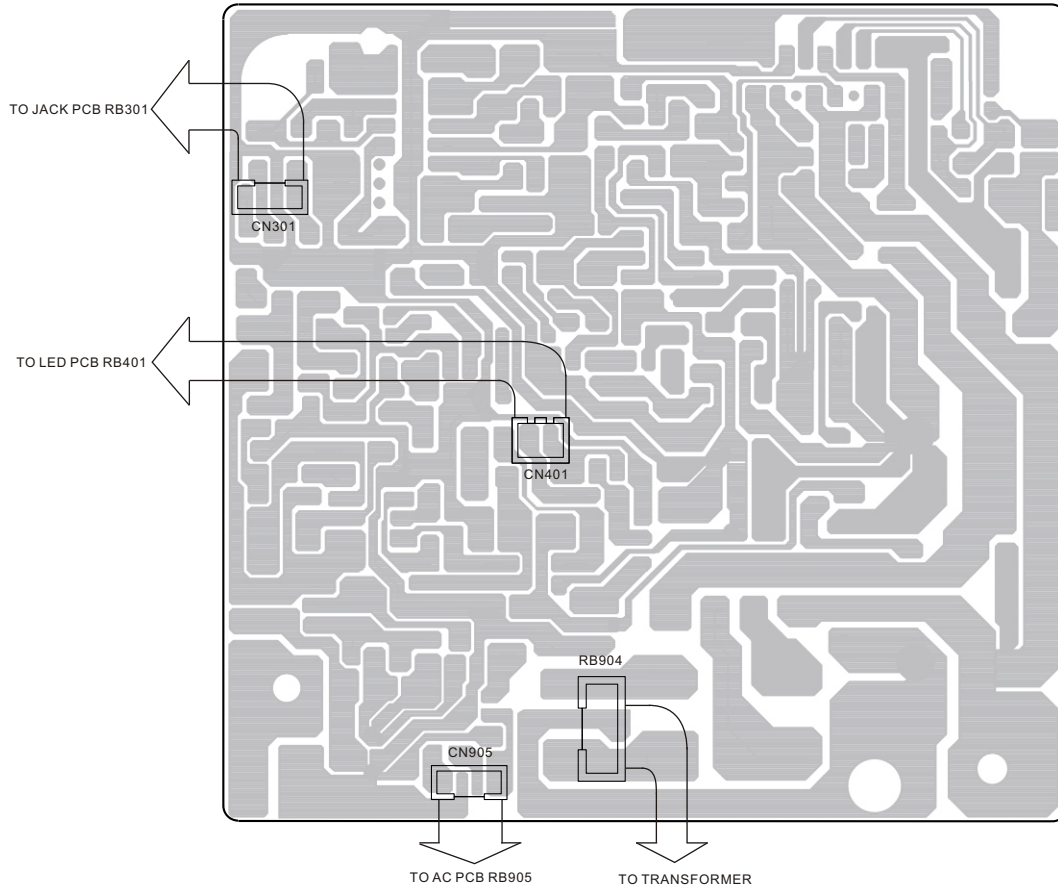


4 WIRING DIAGRAM

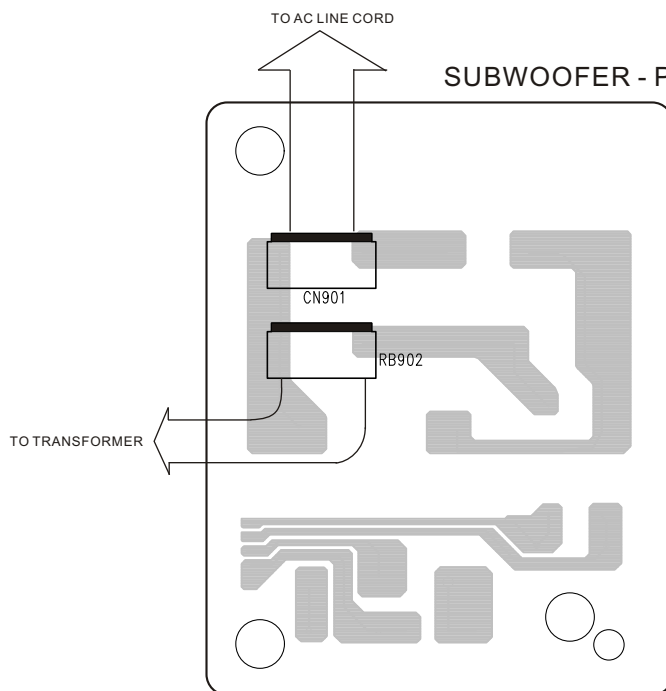
MAIN PCB - TOP



SUB-WOOFER - MAIN PCB



SUBWOOFER - POWER PCB



PL-D2200

5 INCLUDED ACCESSORIES

INCLUDED ACCESSORIES

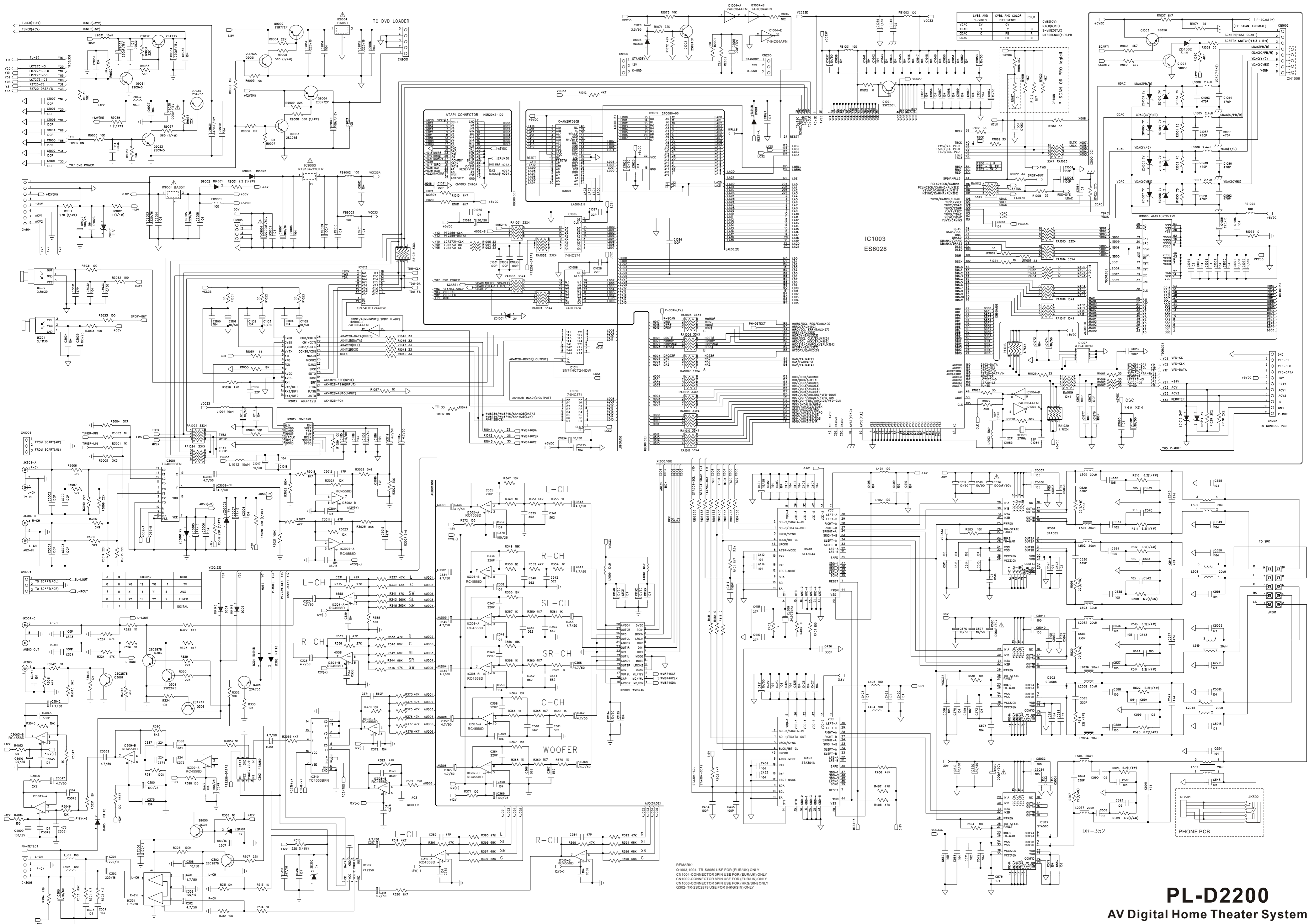
REF. NO	PARTS NO.	DESCRIPTION	REMARKS
	YOM100182-0001	INSTRUCTION BOOK-ENG/FRENCH/ITALY [E, UK]	
	YOM100182-0002	INSTRUCTION BOOK-GER/NEDERLAND/SPANISH [E, UK]	
	YOM100182-0003	INSTRUCTION BOOK-ENG [HK, SG]	
	AIR151015-0004	REMOTE CONTROL- RC882	
	VTA400002-0010	LOOP ANT W/2P 2.5mm x 1	
	VTA400003-0010	FM ANTENNA 1000mm x 1	
	VRC101002-0010	RCA CABLE X 1	
	FBY006315-0003	BATTERY (AA, R6, SUM-3) x 2	
	VRC101003-0010	SUB-WOOFER RCA PIN CORD (1.8 m)	

PL-D2200

TEAC

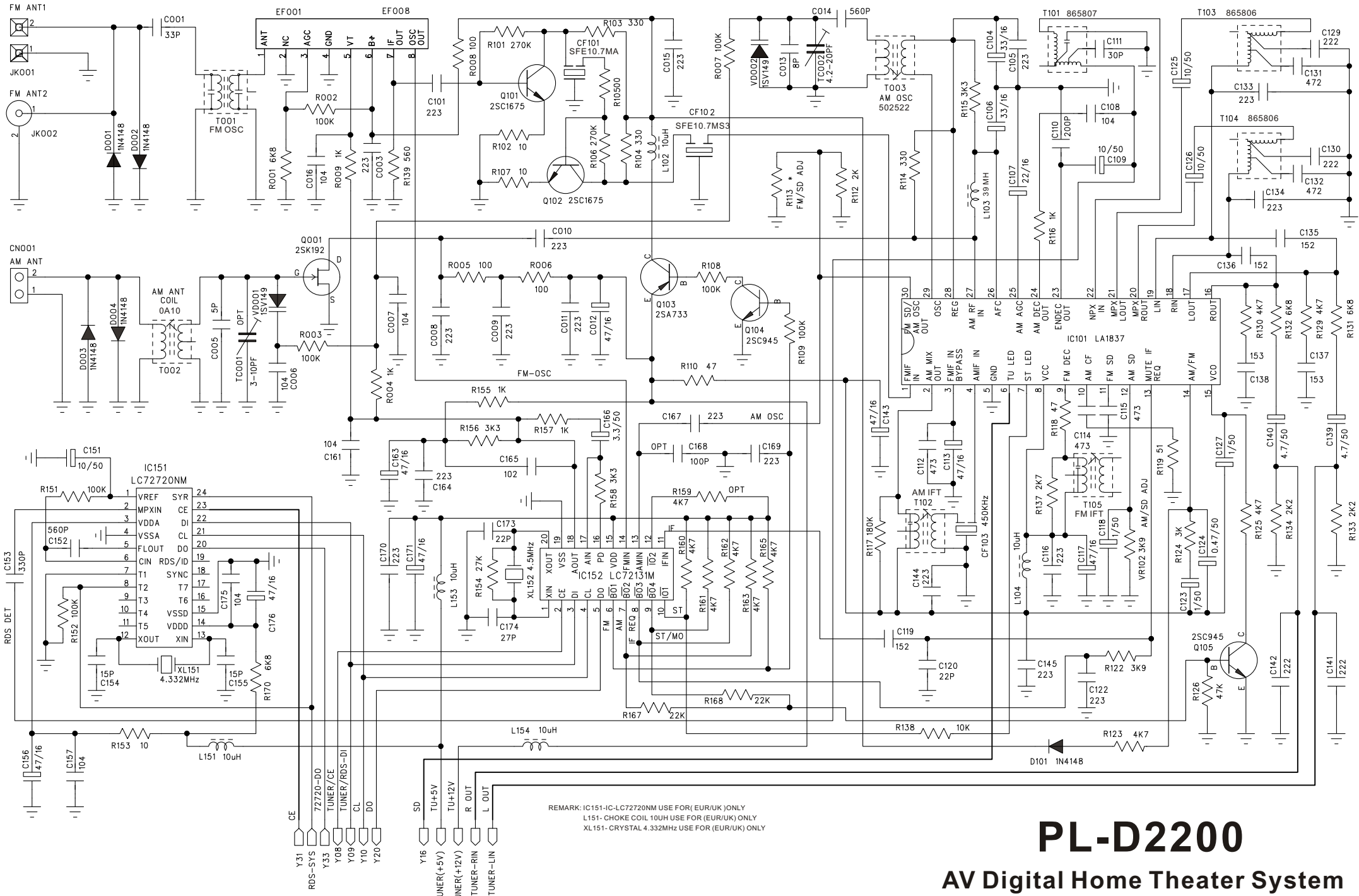
TEAC CORPORATION	3-7-3 Nakacho, Musashino-shi, Tokyo 180-8550, Japan Phone:(0422)52-5081
TEAC AMERICA, INC.	7733 Telegraph Road, Montebello, California 90640 Phone: (323)726-0303
TEAC CANADA LTD.	5939 Wallace Street, Mississauga, Ontario L4Z 1Z8, Canada Phone: (905)-890-8008
TEAC MEXICO, S.A.De C.V.	Campesinos 184,Col. Granjas Esmeralda, 09810, Mexico Phone: (525)-581-5500
TEAC UK LIMITED	5 Marlin House, Croxley Business Park, Watford, Hertfordshire, WD18 8TE, U.K. Phone: 01923-819699
TEAC DEUTSCHLAND GmbH	Bahnstrasse 12, 65205 Wiesbaden-Erbenheim, Germany Phone:0611-71580
TEAC FRANCE S.A.	17, Rue Alexis-de-Tocqueville, CE 005 92182 Antony Cedex, France Phone:(1)42.37.01.02
TEAC NEDERLAND BV	Oeverkruid 15,NL-4941 W Raamsdonksveer, Nederland Phone:0162-510210
TEAC BELGIUM NV/SA.	c/o TEAC NEDERLAND BV, Oeverkruid 15, NL-4941 W Raamsdonksveer, Nederland Phone:+31-162-510860
TEAC ITALIANA S.p.A.	Via C, Cantu 11, 20092 Cinisello Balsamo, Milano, Italy Phone:02-66010550
TEAC AUSTRALIA PTY., LTD.	280 William Street, Melbourne, VIC 3000, Australia Phone:(03)9672-2400
A.B.N.	80 005 408 462

MAIN PCB



PL-D220
AV Digital Home Theater System

TUNER SECTION

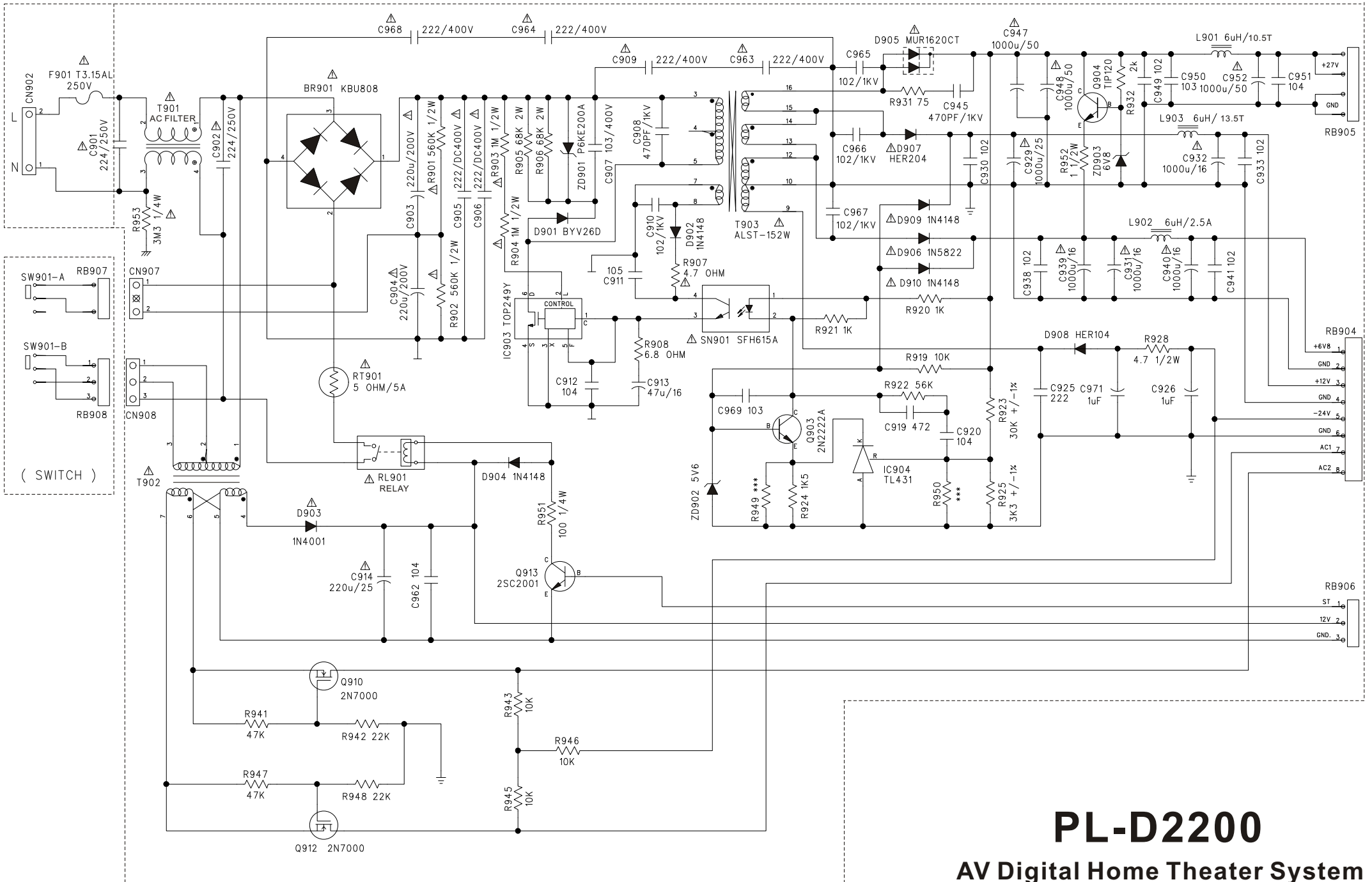


REMARK: IC151-IC-LC72720NM USE FOR (EUR/UK) ONLY
 L151-CHOKE COIL 10UH USE FOR (EUR/UK) ONLY
 XL151-CRYSTAL 4.332MHz USE FOR (EUR/UK) ONLY

PL-D2200

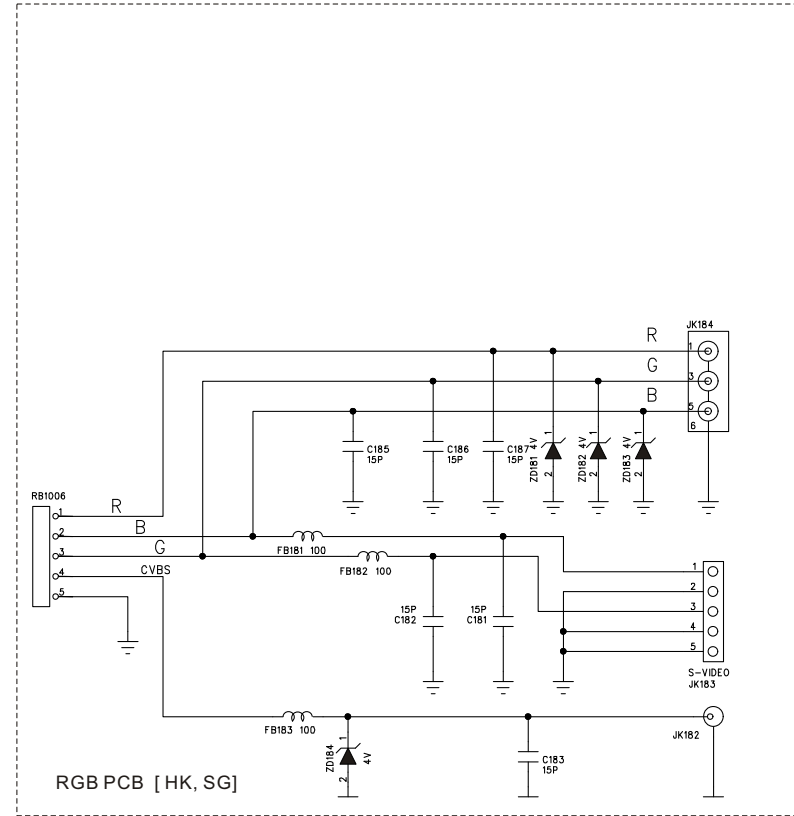
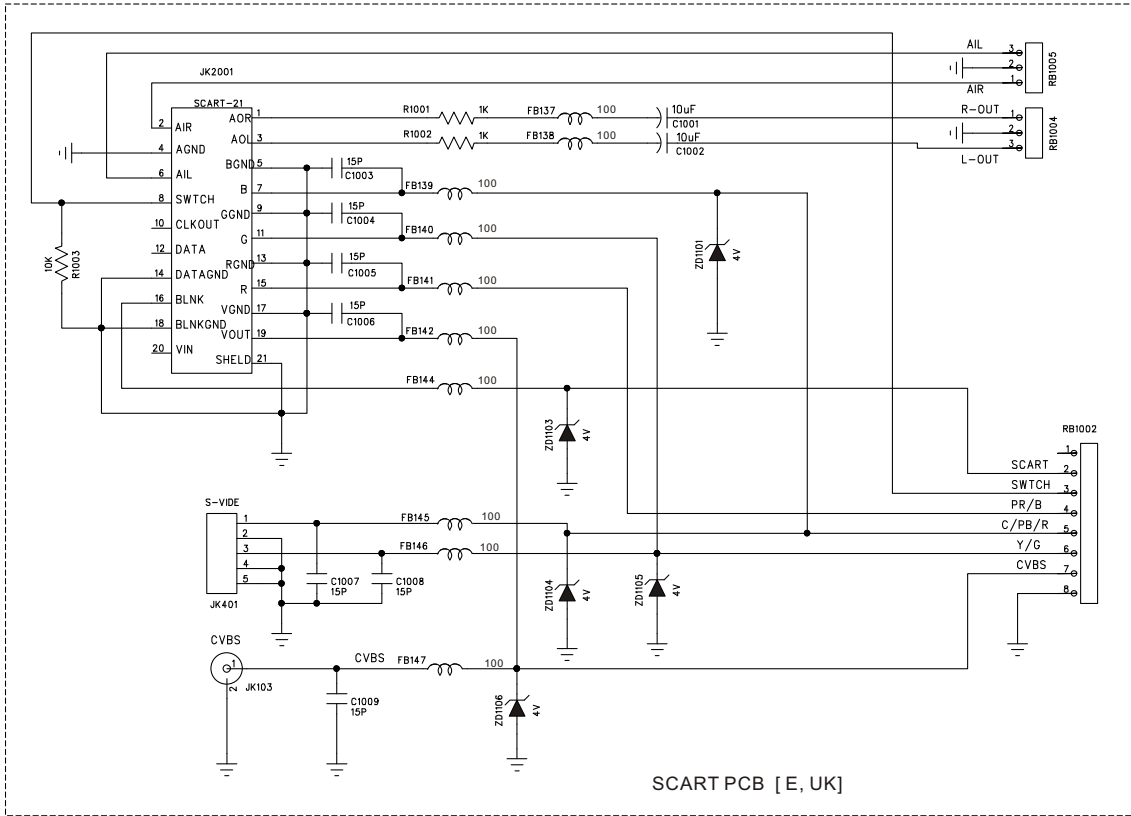
AV Digital Home Theater System

POWER PCB



PL-D2200

AV Digital Home Theater System

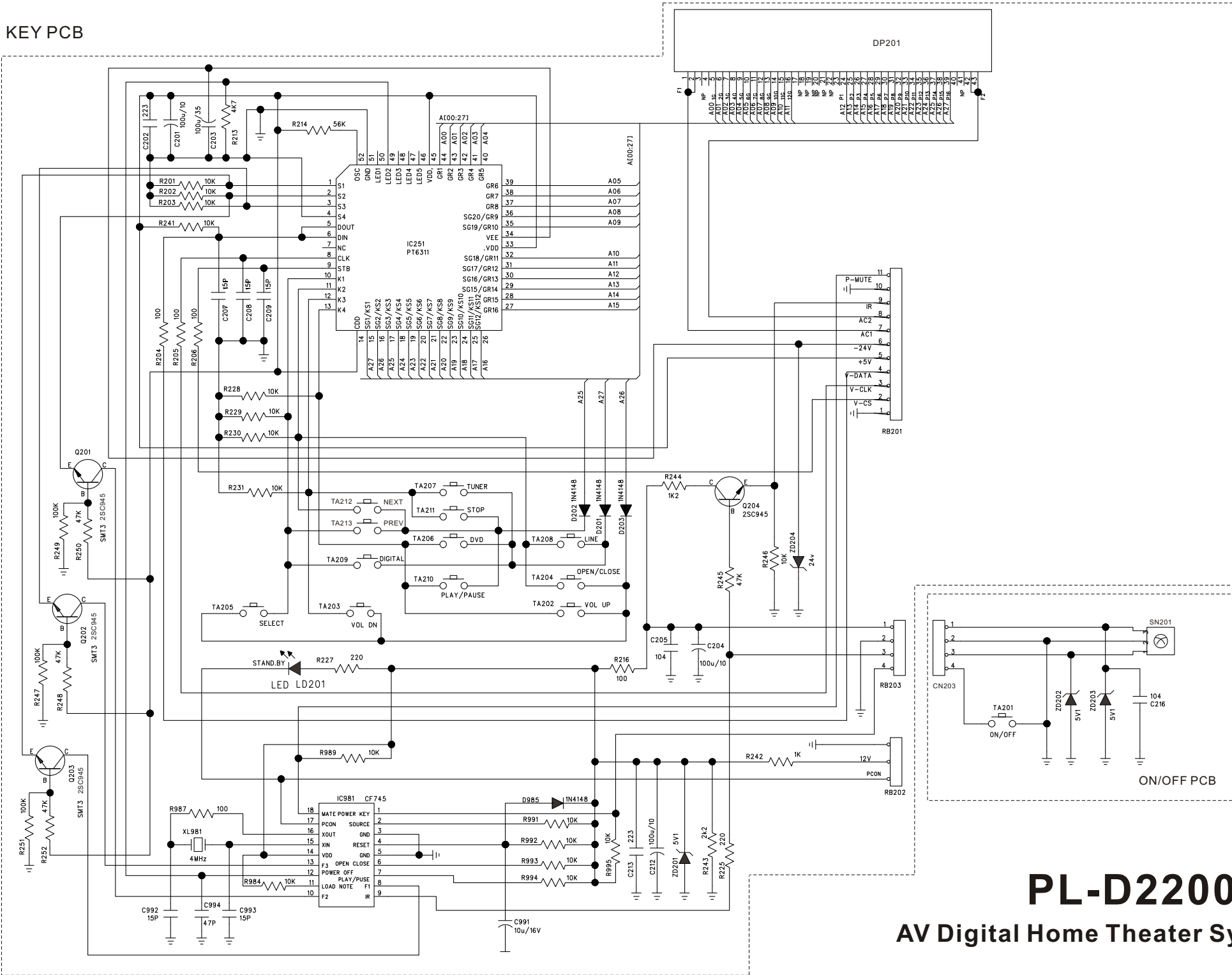


REMARK: RGB PCB USE FOR [HK, SG] ONLY.
 SCART PCB USE FOR [E, UK] ONLY.

PL-D2200

AV Digital Home Theater System

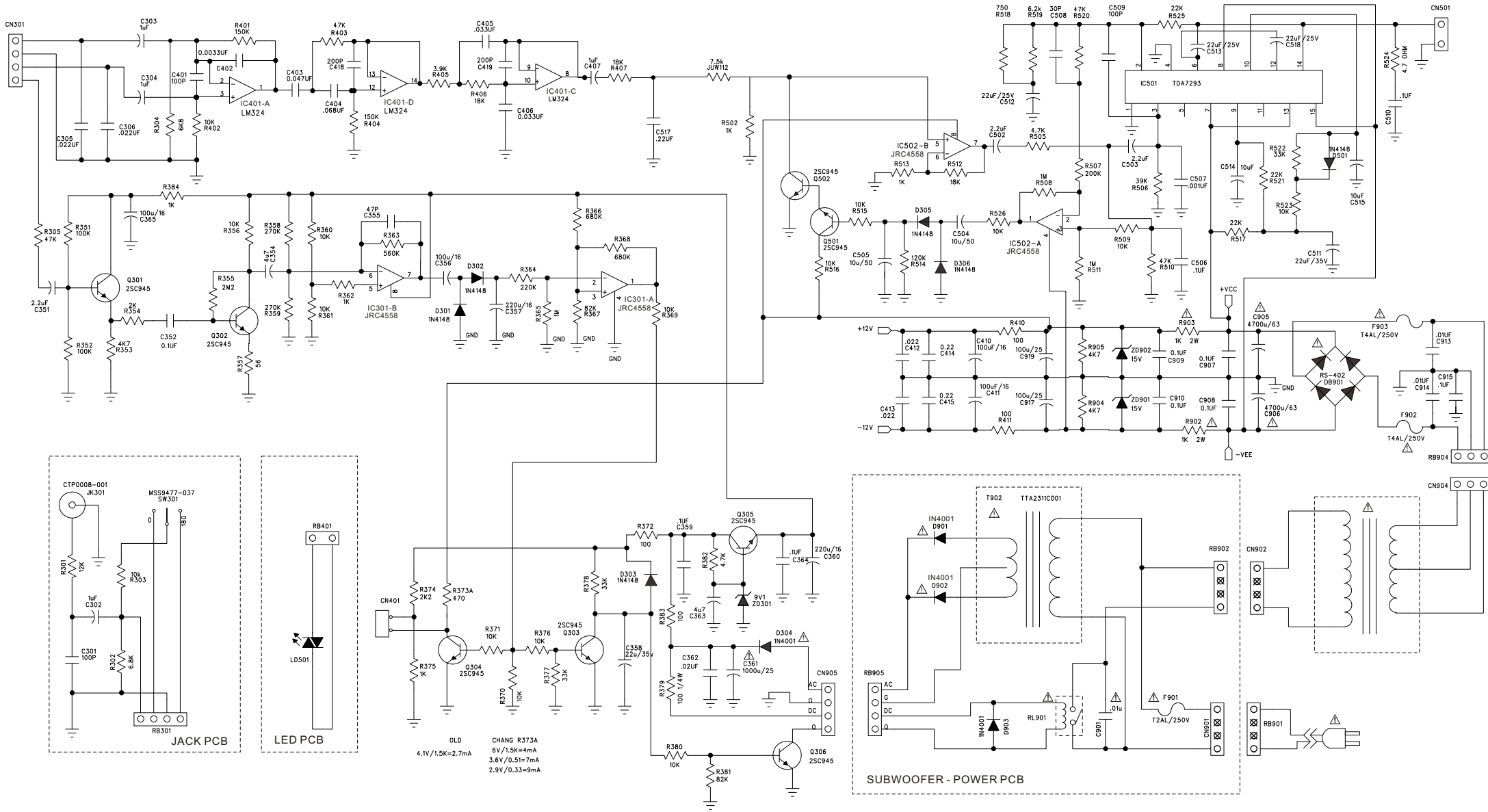
KEY PCB



PL-D2200

AV Digital Home Theater System

SUBWOOFER - MAIN PCB



OLD
4.1V/1.5K=2.7mA

CHANG R373A
6V/1.5K=4mA
3.6V/0.51=7mA
2.9V/0.33=9mA

PL-D2200

AV Digital Home Theater System